

2025

Name of the VTC: Carpentry-I (242.4)

Full Marks: 60

Time: 3 hours

A. Instructions.

1. Component I: Lab Report/ Field Report/Project Report (Time: Marks 20)

(i) Submission of Lab Report/notebook/Project Report/Log Book/Assignment conducted during the course.

(ii) Submission of carpentry model prepared during the course.

Note: All of the points mentioned above are to be submitted on the day of the final practical examination.

2. Component III: Demonstration/Experiment/Performance/Presentation/Identification/Technique Preparation (Time: Marks: 30)

(i) Students are required to think, prepare, write and present the task selected by them on lottery basis.

(ii) Distribution of marks

Content: 10 marks

Clarity: 10 marks

Presentation: 10 marks

(iii) Candidate must hand over the question paper to the examiner after completion of the examination.

3. Component II: Viva Voce (Time: Marks: 10)

Questions will be based on components 1 and 2.

B. Attempt Any One of the Following (30 marks)

Questions for VTC

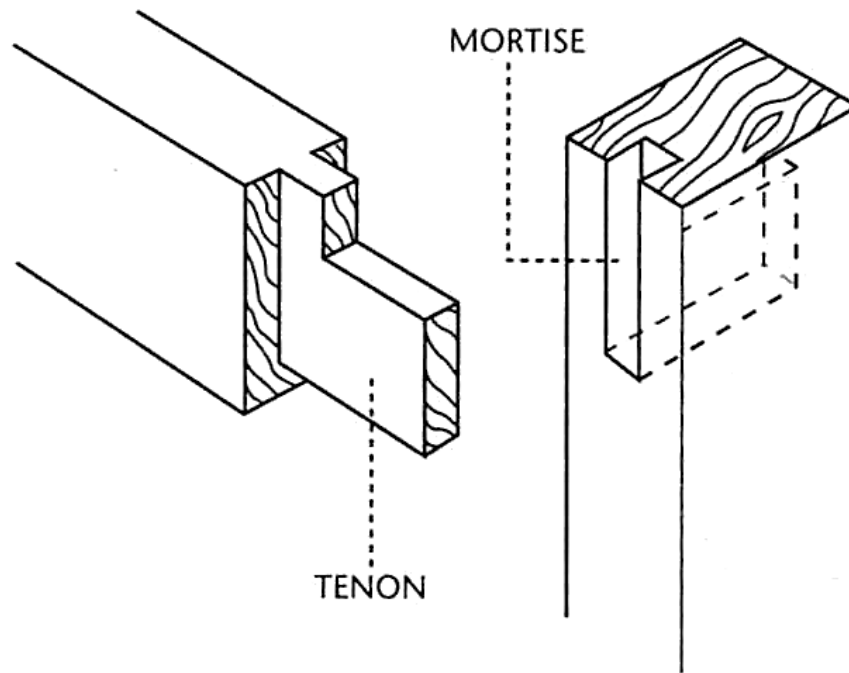
Name of the VTC: **Carpentry - I**

Name of the Faculty/Proposer: **Mr Pynphriang Pyngrope**

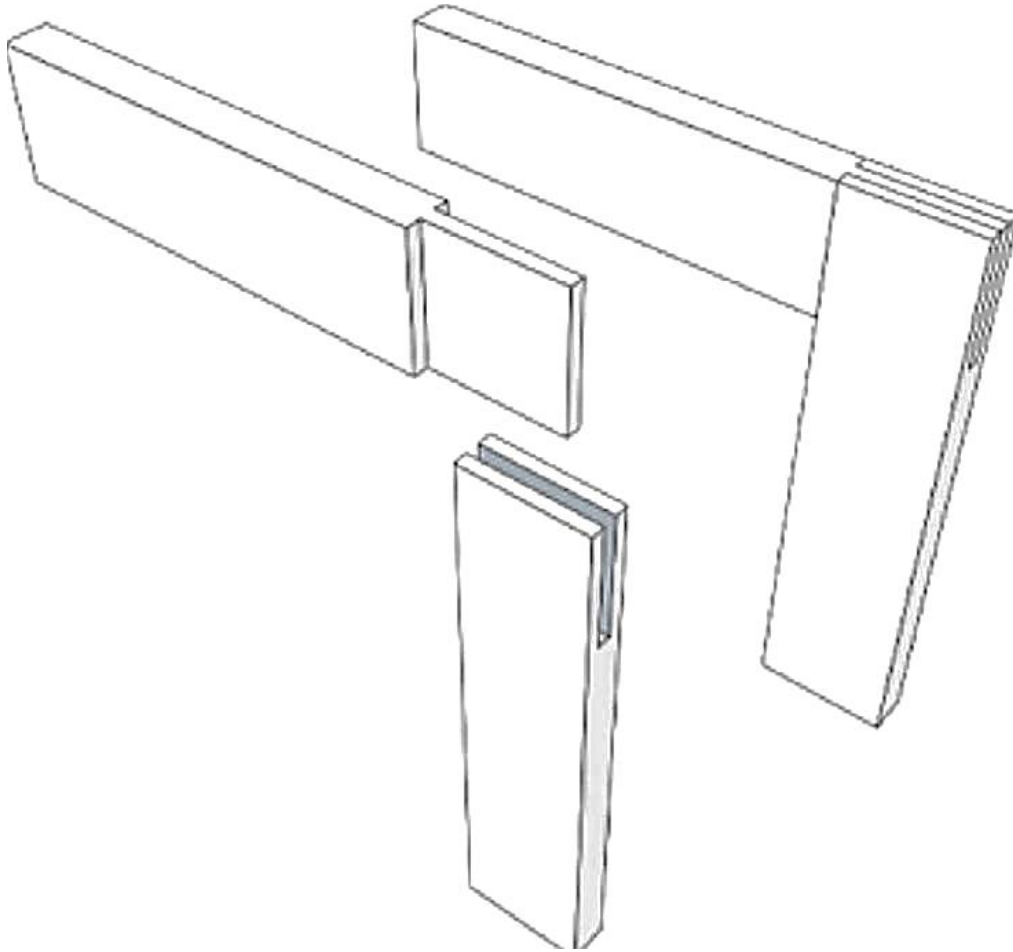
Name of the College: **St. Anthony's College, Shillong**

Component III: 8- to 10 questions (30 Marks each)

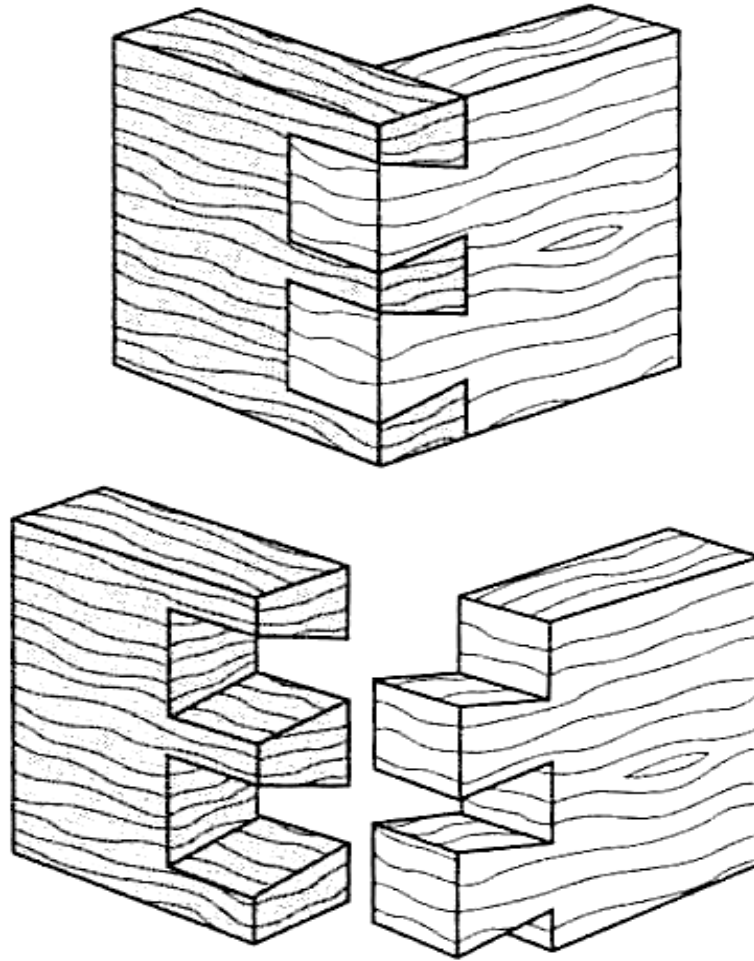
- Q1. (a) Identify and describe the marking and testing tools in wood working? (10+20)
(b) Prepare the list of tools and experiment needed to prepare the joinery shown below.



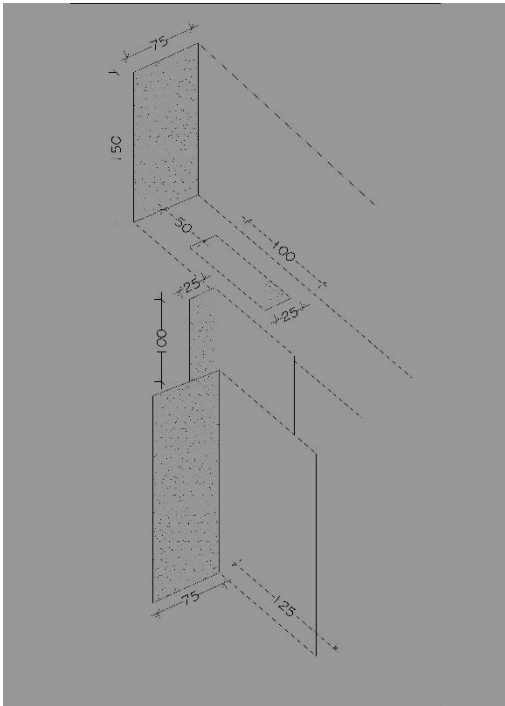
- Q2. (a) Enlist the safety and precautionary measures to be practiced in a workshop. (10+20)
(b) Prepare the list of the tools and equipment's required to demonstrate the joinery shown below.



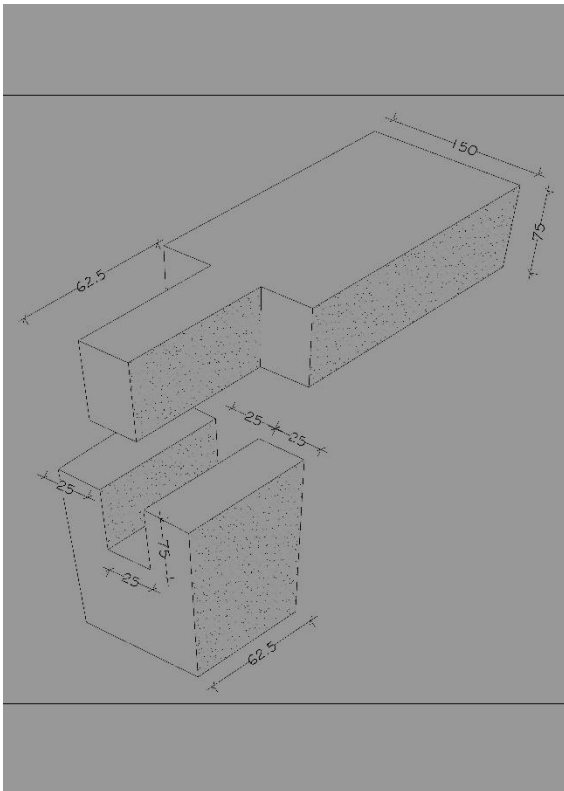
- Q3. (a) Identify the planing tools and describe the uses of the various planes? (10+20)
(b) Prepare the list of the tools and equipment required to demonstrate the timber joinery shown below.



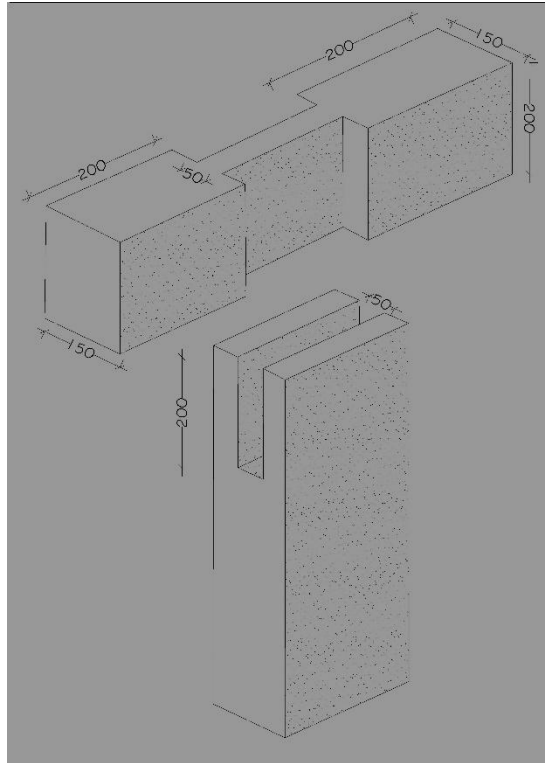
- Q4. (a) Explain the specific use of a cutting saw.
(b) Demonstrate the job according to the drawing provided below.



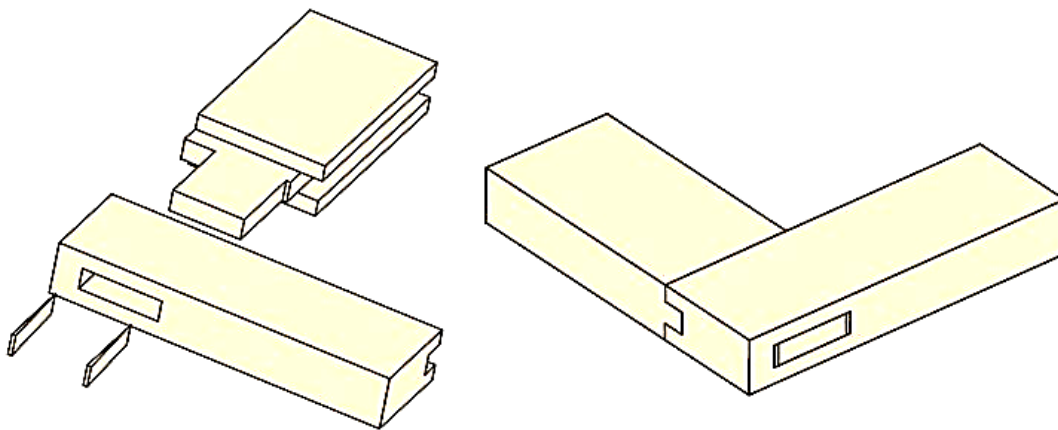
- Q5. (a) Identify the different type of striking tools in wood working?
(b) Demonstrate the various technique of Joint making.



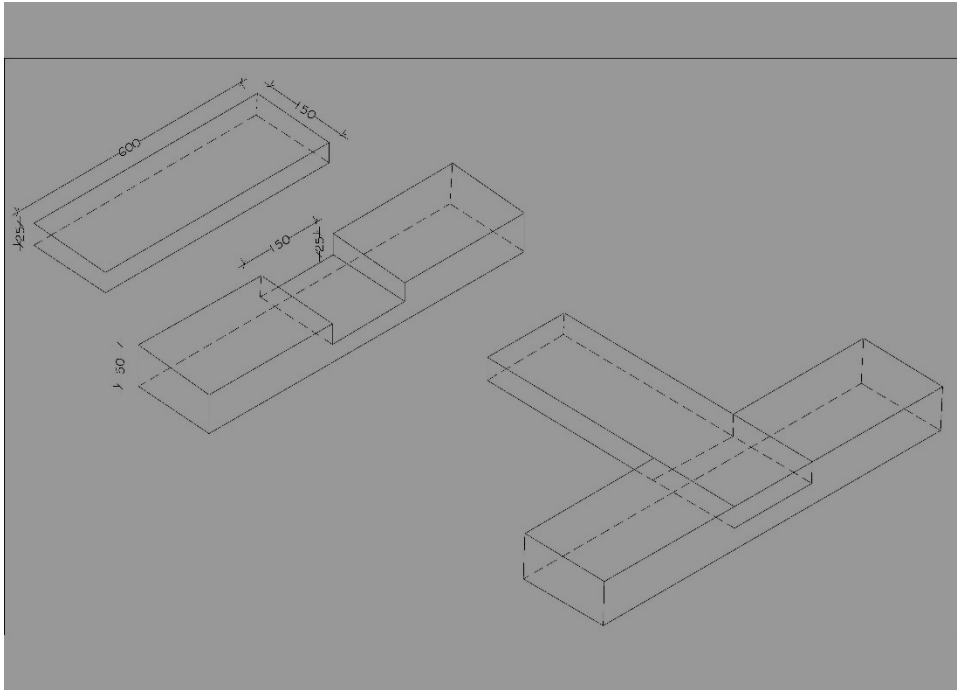
- Q6. (a) Identify the different type of carpentry joints.
(b) Prepare the job according to the drawing below.



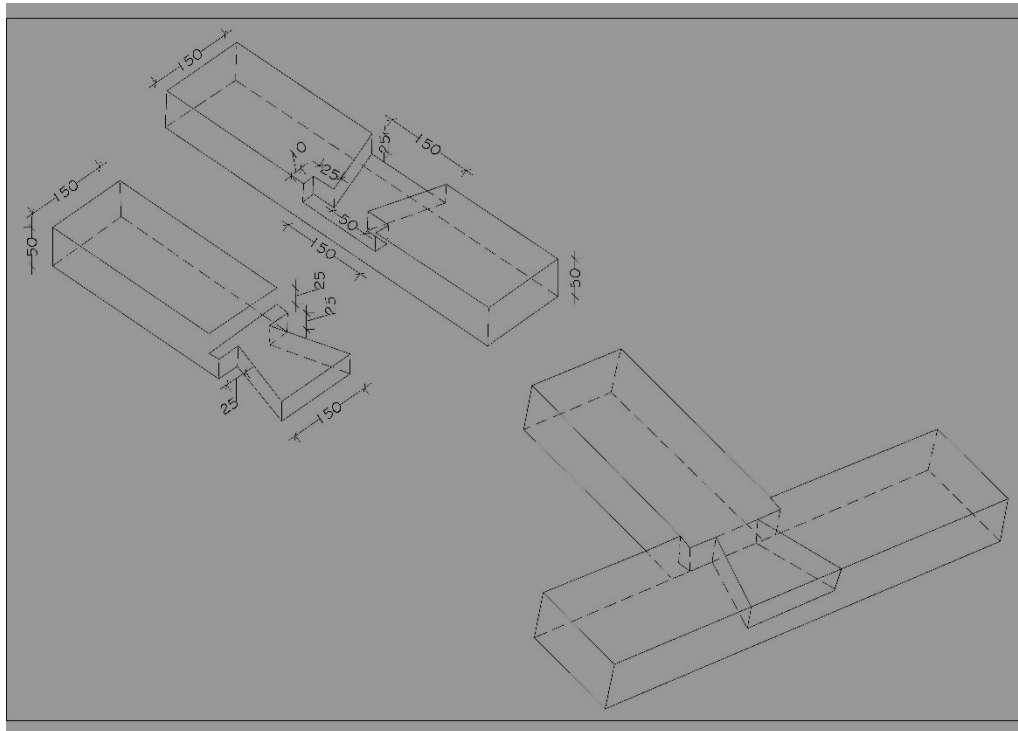
- Q7. (a) Explain the different type of timber seasoning.
(b) Prepare the list of tools and equipment needed as per the job provided below.



- Q8. (a) Identify and explain the different type of carpentry joint. (10+20)
(b) Demonstrate the procedure of making carpentry joint, shown below.



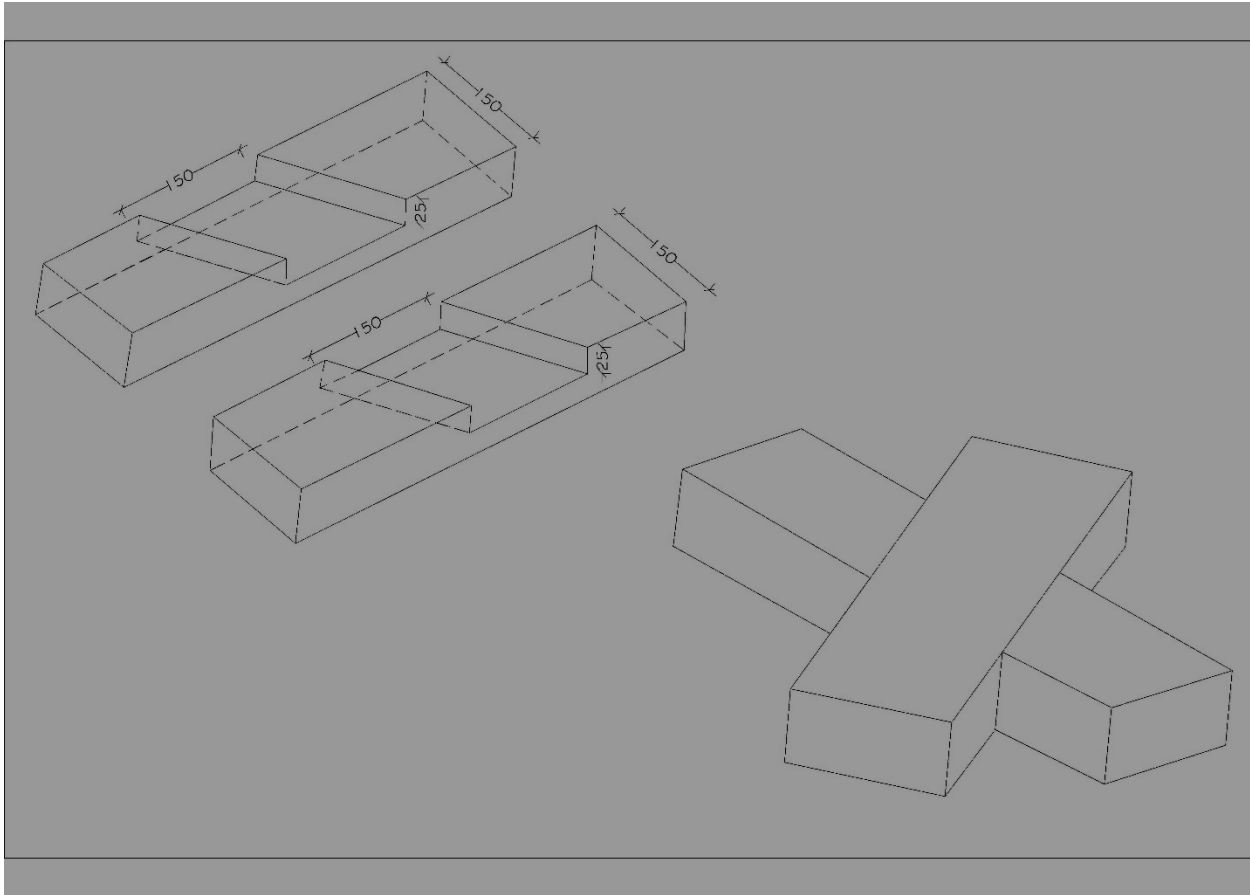
- Q9. (a) Identify the safety gears for carpentry workshop. (10+20)
(b) Demonstrate the carpentry joint according to the drawing given below.



Q10. (a) Explain the Timber Drying techniques to prevent warping?

(10+20)

(b) Prepare the list of the tools and equipment needed according to the drawing provided below.



Component I: Suggestions on the type of Lab Reports, Project Work, Assignments, or Field Reports.
(20 marks)

Component II: Viva – Voce

(10 marks)